

# Sight glass valves

with male threaded connection

# NORIS

## Bauform 232

### Application:

These glasses are suitable for screw in situations.  
For example in tanks, pipes and vessels.  
They are working with fluids also with gas.  
Especially for one-off designs.

### Operating conditions:

Working pressure : up to 40 bar  
Working temperature: 150°C or 280°C

### Installation:

Optional

### Connections:

Male threaded: G (BSP)

### Materials:

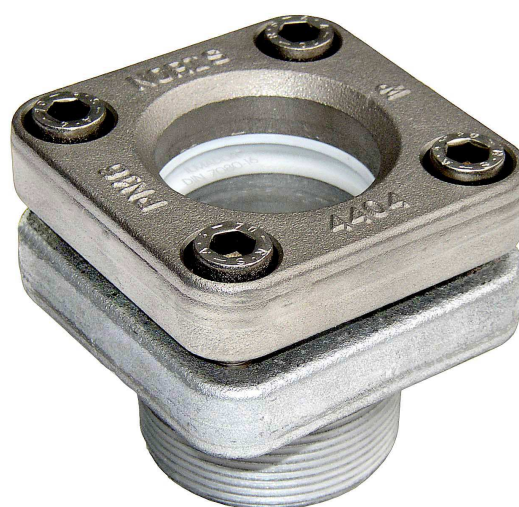
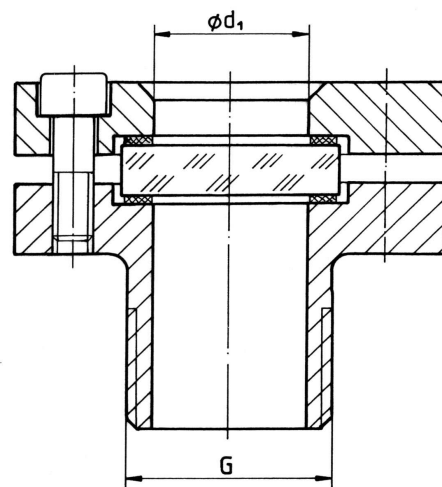
|       |   |
|-------|---|
| Body  | Steel or<br>Stainless steel   |
| Glass | Borosilicate glass acc. to DIN 7080<br>Soda lime glass acc. to DIN 8902 |

### Selection criteria:

Thread diameter  
Working pressure  
Working temperature  
Body materials  
Glass

### Ordering example:

Sight flow valves Bauform 232  
WN 1.4571  
Borosilicate glass DIN 7080-16 bar  
G 1"



Modifications reserved

# NORIS ARMATUREN Burkenstein GmbH & Co. KG

Puscherstrasse 3  
D-90411 Nürnberg

Telefon: +49 (0) 911 / 52 150 63  
Telefax: +49 (0) 911 / 52 24 40

Internet: [Noris-Armaturen.de](http://Noris-Armaturen.de)  
E-Mail: [Noris@Noris-Armaturen.de](mailto:Noris@Noris-Armaturen.de)